

# SOLAR PRODUCTS



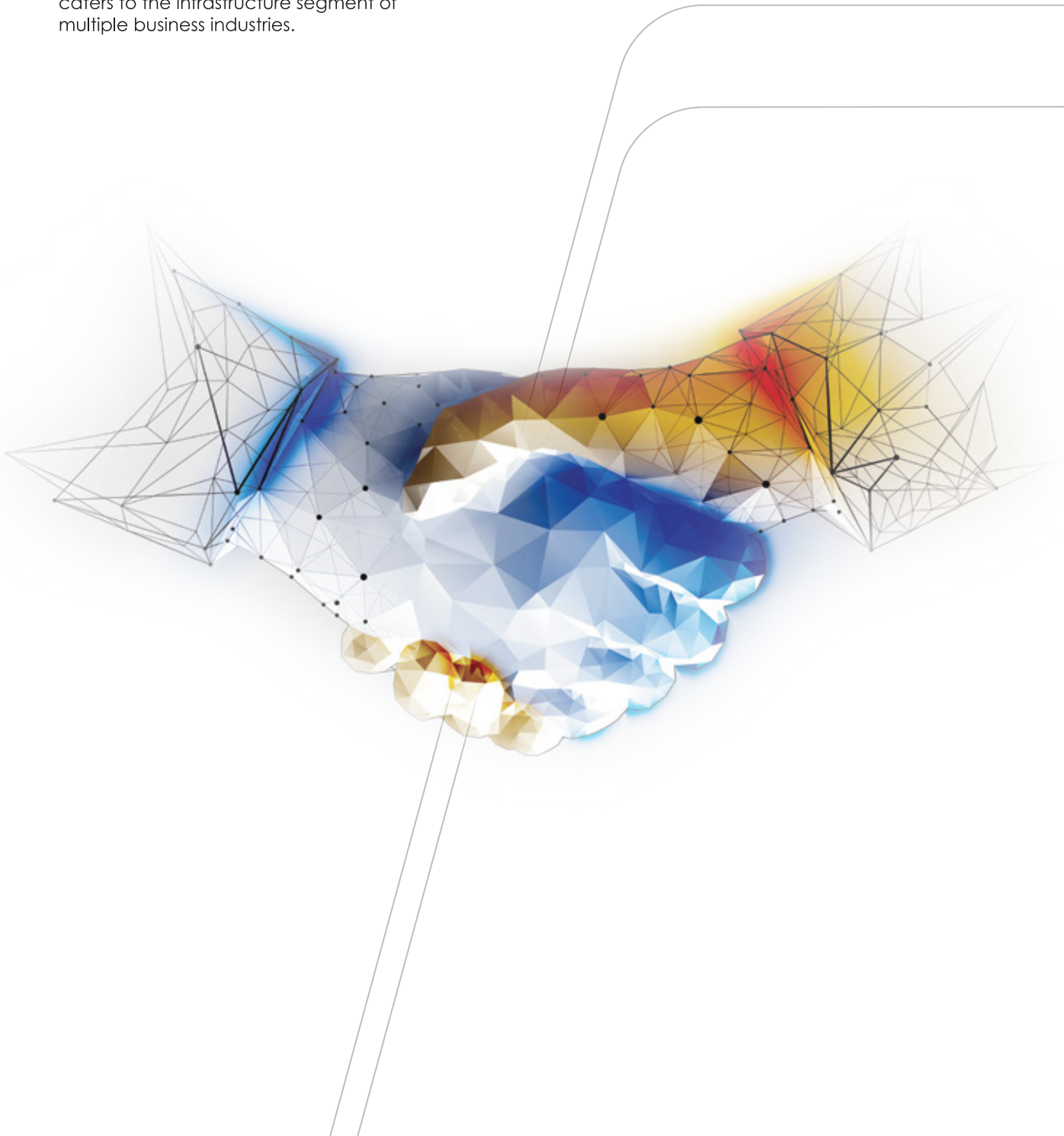
- SOLAR JUNCTION BOX
- SOLARLOK PV4-S1

## Welcome to Raychem RPG

---

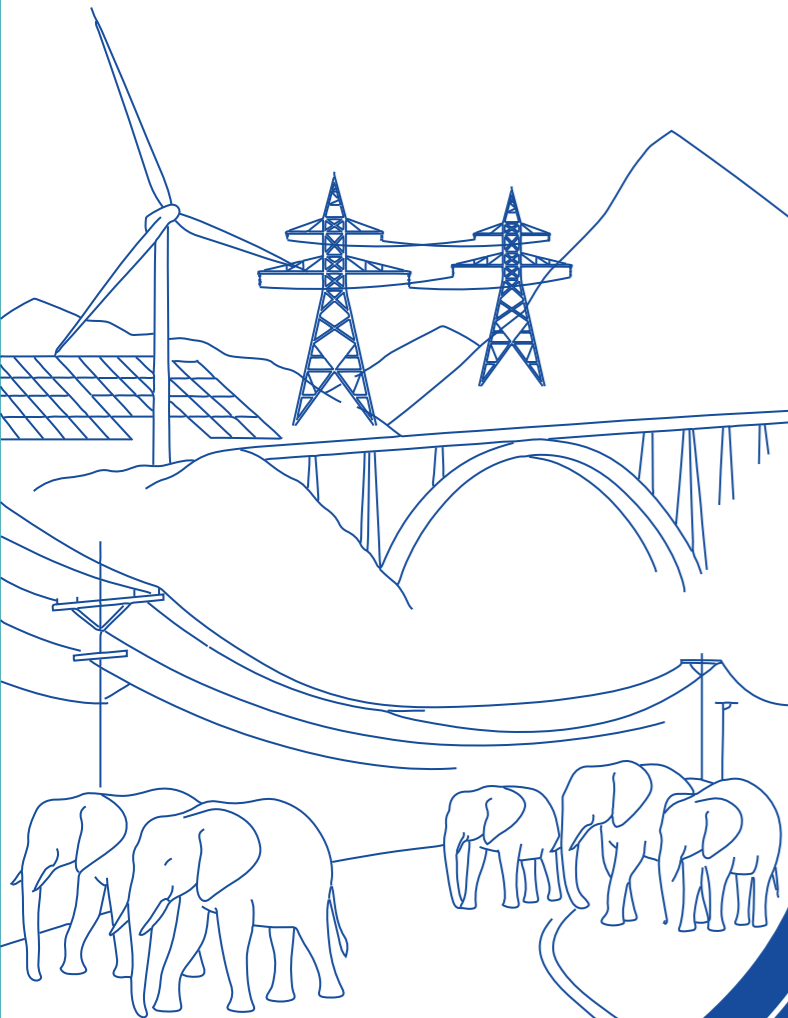
Raychem RPG (P) Ltd., incorporated in 1989, is a 50:50 Joint Venture between TE Connectivity, U.S.A. and RPG Enterprises, India. It is one of the longest running successful joint ventures in India for over 36 years.

Built on foundation of trust and traditions, Raychem RPG is involved in engineering solutions and services. Pioneering smart products and technologies, the company caters to the infrastructure segment of multiple business industries.

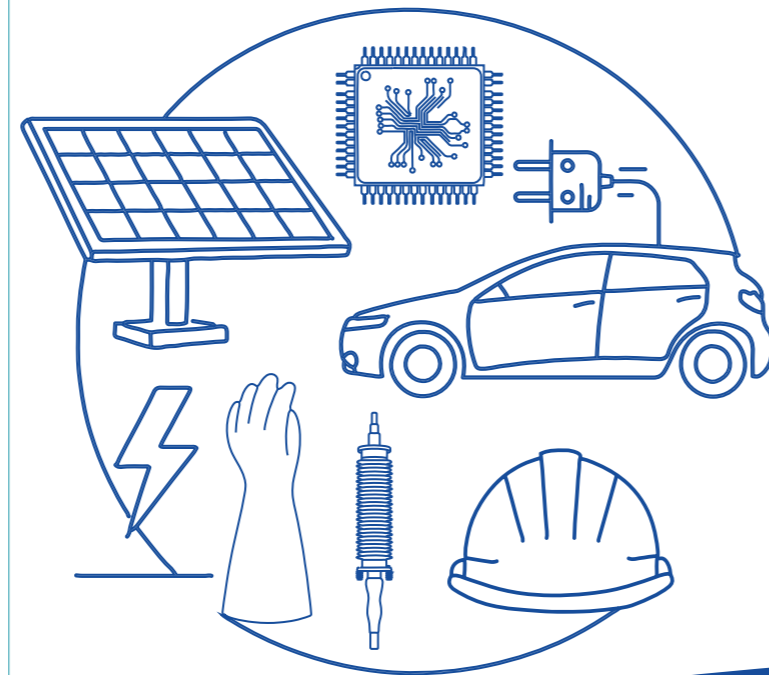


# PURPOSE

**Reliable  
Connections.  
Always...**



# MISSION

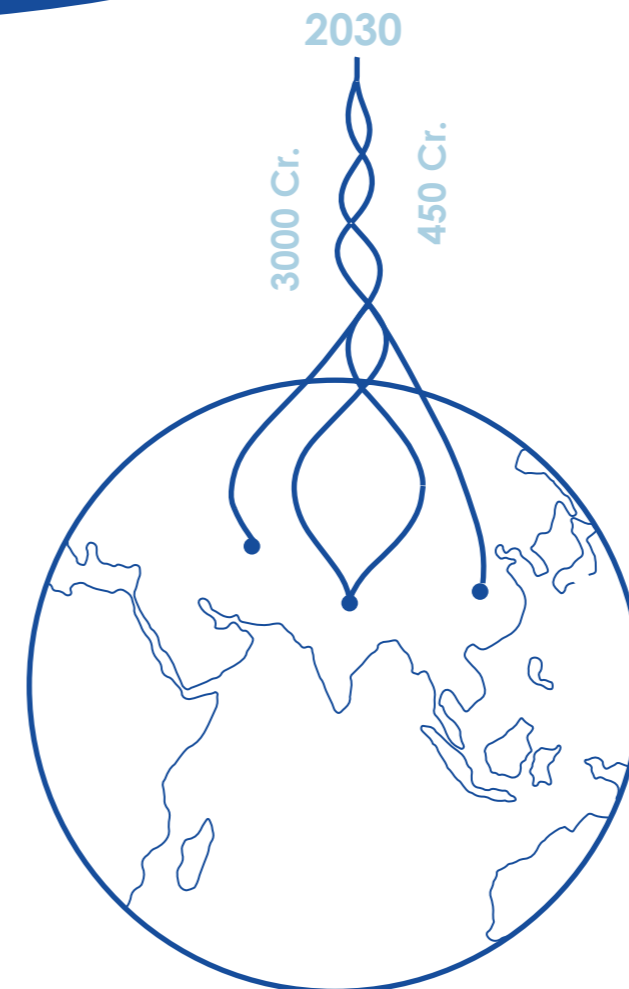


**Deliver  
Exceptional  
Value**

by fostering  
collaboration,  
agility & innovation

# VISION

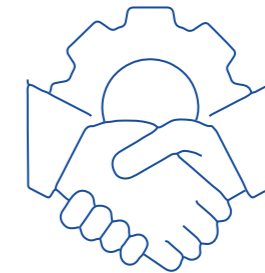
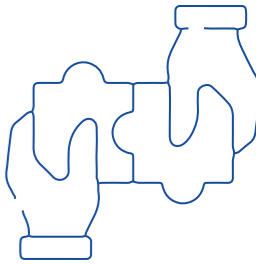
**To Grow**  
3000 Cr. in topline  
and 450 Cr. in  
bottomline by 2030



# VALUES

## Collaboration

- » Seek help & solve together
- » Allow the best idea to win
- » Ensure outcomes

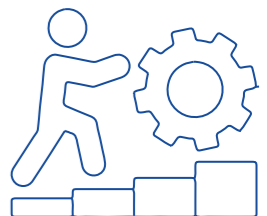


## Customer Intimacy

- » Listen to understand
- » Solve for long term
- » Delight customers

## Always Relentless

- » Continue to improve
- » Speak up even if it is hard truth
- » Act with urgency



## Forward Thinking

- » Anticipate for tomorrow
- » Plan ahead
- » Embrace change

# FUTURE IS IN SMART ENGINEERING

# FUTURE IS IN SMART MANUFACTURING FACILITIES



Halol Plant | 23 Acres



Vasai Plant | 04 Acres



Chakan Plant | 11 Acres



Naigaon Plant | 2.5 Acres

Comprehensive knowledge and learning in design and engineering over the last three decades have helped us set up a strong technical base and offer contemporary products that are on par with international quality and reliability.

Based on the feedback of customers like you, our team of 50+ design engineers continuously researches on improvement and unexplored ideas in material science, electrical design and industrial product engineering.

This enables us to identify gaps in the marketplace and offer you new, innovative products. Unique differentiation in products, achieved through innovation, adds to our knowledge bank. These are protected through continuous filing of Intellectual Property, and help maintain our leadership position in the market.

For you, this means embracing the latest technology.

We have state-of-the-art manufacturing facilities at four locations in India (Vasai, Naigaon, Halol and Chakan). With strong capability in lean manufacturing operations results in an optimised and cost-effective products.

RRL manufactures a wide range and variety of products at these facilities using conventional as well as contemporary processes and exclusive material including packaging items, which are environment friendly.

We have implemented smart manufacturing practices like integrated workstations, error-free assembly and streamlined techniques of production. Adoption of internationally acclaimed tools and techniques, combined with automation and digitization at each stage of manufacturing ensures

high level of productivity, quality, reliability, safety and morale. As a testimony to our disciplined and structured working as well as self-reliance, each of our manufacturing facilities is certified for their continued compliance to international standards like ISO 9001, ISO 14001, and OHSAS 18001 for the Quality, Environment, Health and Safety Management Systems respectively. Besides, these facilities have been certified for ISO 50001 and ISO 27001 for their Energy and Information Security Management Systems.

For you, this means international quality products.

# CONTENT

SOLAR  
JUNCTION BOX

01



SOLARLOK  
PV4-S1

02



CATALOGUE  
INFORMATION

03



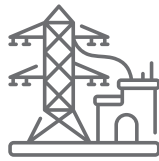
TECHNICAL  
DETAILS

04-05



APPLICATIONS

06



# SOLAR JUNCTION BOX



## FEATURES



RTI: 125°C  
UL-94 V0, 5VA



IP 68



-40°C to +85°C



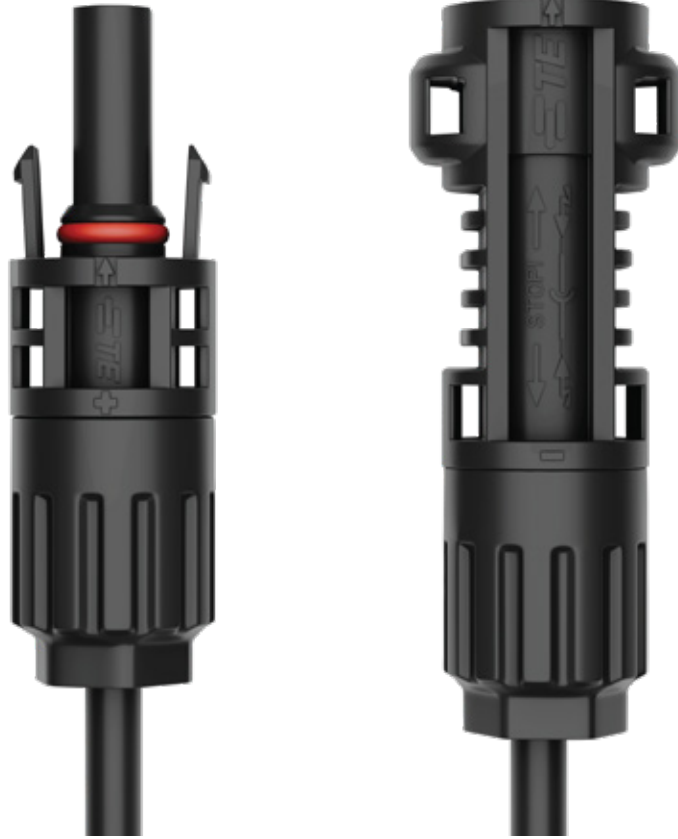
High Quality Diodes



Higher Voltage Ratings



## SOLARLOK PV4-S1



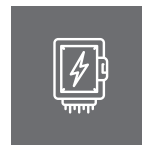
### FEATURES



IP68 (1 m /24 hours) protection.



low contact resistance



1500V DC.



AWG 14 (2.5 mm<sup>2</sup>) to AWG 12-10 (4-6 mm<sup>2</sup>).



Durable and UV-Resistant Housing



Easy and secure cable connections.



# CATALOGUE INFORMATION

## SOLAR JUNCTION BOX

PCN	Ampere Rating (in Ampere)	Cable Length (in meters)
EPASOB1006	25	0.3
EPASOB1007	25	0.3
EPASOB1008	25	0.3
EPASOB1009	25	0.3
EPASOB1014	25	0.4
EPASOB1016	25	0.4
EPASOB1025	25	0.4
EPASOB1026	25	0.4
EPASOB1017	25	0.6
EPASOB1018	25	0.6
EPASOB1019	25	0.6
EPASOB1020	25	0.6
EPASOB1039	25	1.2
EPASOB1040	25	1.2
EPASOB1041	25	1.2
EPASOB1042	25	1.2

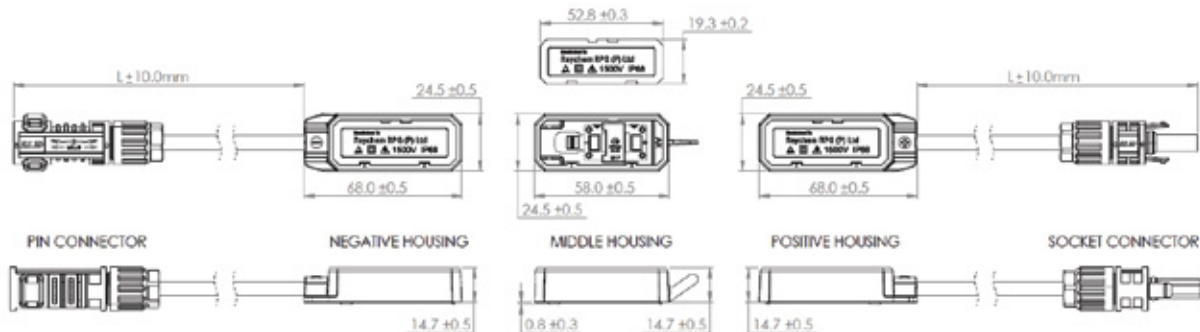
PCN	Ampere Rating (in Ampere)	Cable Length (in meters)
EPASOB1010	30	0.3
EPASOB1011	30	0.3
EPASOB1012	30	0.3
EPASOB1013	30	0.3
EPASOB1027	30	0.4
EPASOB1028	30	0.4
EPASOB1029	30	0.4
EPASOB1030	30	0.4
EPASOB1021	30	0.6
EPASOB1022	30	0.6
EPASOB1023	30	0.6
EPASOB1024	30	0.6
EPASOB1043	30	1.2
EPASOB1044	30	1.2
EPASOB1045	30	1.2
EPASOB1046	30	1.2

## SOLARLOK PV4-S1

PCN	CABLE SIZE (sqmm)	Voltage (DC)	MOQ	PACKING TYPE
EPASOA1008	4-6	1500	1000	Strip
EPASOA1009	4-6	1500	1000	Strip
EPASOA1010	4-6	1500	1000	Loose
EPASOA1011	4-6	1500	1000	Loose

# TECHNICAL DATA

## SOLAR JUNCTION BOX

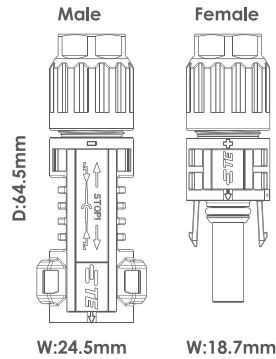


Parameters	Specifications
Type of appliance	Photovoltaic Junction Box
Model	RRPL01xy
Rated Current	25A, 30A & 35A
Rated Voltage	1500 V DC
Rated Impulse Voltage	16KV
Reverse Current	50 A
Ingress Protection	IP68
Pollution Degree(Inside)	PD 1
Protection Class	2
Overtoltage category	III
Raw Material	THERMOPLASTIC (m-PPE)
RTI of Material	125 °C
Flammability Class	UL-94 V0, 5VA
Contact Resistance	≤ 1 mΩ
Temperature Range	-40 °C to +85 °C
Connecting Cable	62930 IEC 131, 1x4mm <sup>2</sup> , ≥1.5 KV DC,
Cable Diameter (overall)	6.3±0.1mm
No. of Diodes	3
Waterproofing Structure	2 component potting
Width of Busbar	Max 8.5mm
Busbar Termination	Solder-type
Contact Material	Copper Alloy, Tin Plated
Bonding Mode	Sealant
PV Connectors (Male & Female)	1500V DC, 35A, IEC 62852
IEC Standards	IEC 62790:2020; EN IEC 62790:2020



## TECHNICAL DATA

### SOLARLOK PV4-S1



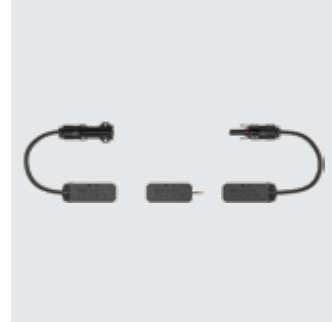
Parameters	Specifications
Rated voltage	1500V DC
Rated Current	29 A Max. for 2.5 mm <sup>2</sup> (TÜV Rheinland IEC62852, 85°C ambient) 35 A Max. for 4.0 mm <sup>2</sup> (TÜV Rheinland IEC62852, 85°C ambient) 40 A Max. for 6.0 mm <sup>2</sup> (TÜV Rheinland IEC62852, 85°C ambient) 35 A Max. for 14 AWG (UL6703, 55°C ambient) 40 A Max. for 12 AWG (UL6703, 55°C ambient) 50 A Max, for 10 AWG (UL6703, 55°C ambient)
Ambient temperature	-40 °C to +85°C
Ingress Protection	IP68 (1m, 24h)
Protection Class	II
Cable Wire size	2.5 mm <sup>2</sup> /14 AWG, 4.0 mm <sup>2</sup> /12 AWG and 6.0 mm <sup>2</sup> /10 AWG
Cable Jacket Diameter UL approved:	6.0 mm to 7.5 mm
Overvoltage category	III
Pollution degree	2 in the sealed area: 3 outside the sealed area



## APPLICATIONS

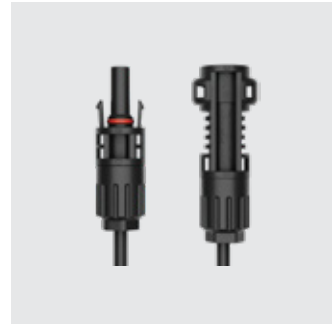
### SOLAR JUNCTION BOX

- Ideal for bifacial panels that generate energy from both front and rear surfaces, enhancing overall energy yield.
- Supports half-cut solar cells, offering improved efficiency and lower power loss in high-performance solar modules.
- With robust construction and wide temperature range compatibility, it performs reliably in harsh climatic conditions



### SOLARLOK PV4-S1

- Solar panels
- Inverters
- Micro inverters
- DC optimizers





## OFFICE

### HEAD OFFICE

Raychem RPG (P) Ltd.  
A-1401, 14th Floor, ThaneOne,  
DIL Complex, Majiwada,  
Thane (West) 400610

## REGIONAL CONTACTS

### New Delhi

C/O Innov8, 2nd Floor, Regal Building  
44, Connaught Circle,  
Hanuman Road Area,  
Connaught Place, New Delhi 110001  
(Opposite: Palika Parking/Above CCD)

### Bengaluru

Ground, Beech, Manyata  
Embassy Business Park,  
Outer Ring Rd, E-1, Nagavara,  
Bengaluru, Karnataka 560045

### Chennai

Olympia Platina 9th Floor,  
Plot No. 33-B, South Phase,  
Guindy Industrial Estate,  
Chennai 600 032

### Kolkata

Urban Wrk- Techno Polis,  
8th, BP Block, Sector V,  
Bidhannagar, Kolkata,  
West Bengal 700091

To learn more about Raychem RPG solutions  
and offering visit [www.raychemrpg.com](http://www.raychemrpg.com)  
Or reach our Customer Interaction Cell  
Contact: **022-45745060**  
Email: [cic@raychemrpg.com](mailto:cic@raychemrpg.com)

Follow us on



### Disclaimer

- Product improvement is a continuous process. For the latest information and special application, please contact any of our offices listed here.
- Product photographs shown for representative purpose only.